

APPLICATION:

PRODUCT NAME:
3/4" ANGLE STOP

JOB NAME:

_____ SPECIAL CONFIGURATION
(CHECK BASE MODEL AND OPTIONS)

QUANTITY:

ITEM NO.:

MODEL:

14249 WITH CROSS HANDLE

OPTIONS OR MODIFICATIONS:

 OTHER _____

FEATURES:

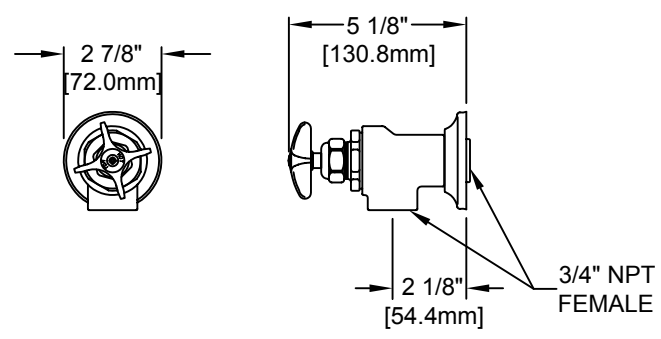
- * STEM - RIGHT HAND
- * SWIVELING SEAT DISKS
- * HOT AND COLD INDEX BUTTONS
- * STAINLESS STEEL SEAT
- * STAINLESS STEEL SEAT SCREW
- * STAINLESS STEEL HANDLE SCREW

SYSTEM LIMITS

- * TEMPERATURE: 40°F MIN. TO 140°F MAX.
- * PRESSURE: 200 PSI MAX. STATIC

SHIPPING WEIGHT

- * 6.0 LBS



ROUGH-IN:

